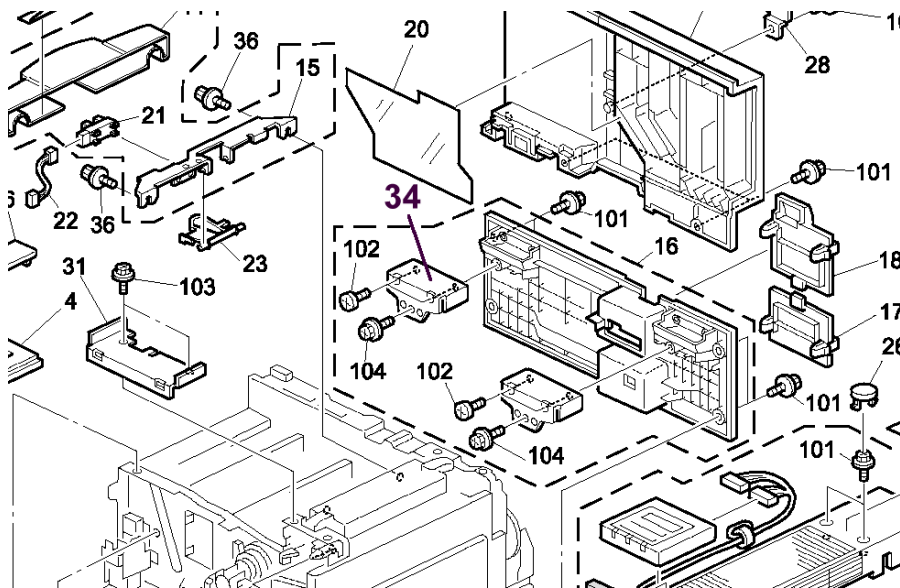


Model: Adonis-P		Date: 31-Oct-99	No.: MG035001
Modified Article: Parts Catalog Correction		Prepared by: K. Takagi	
From: Technical Service Dept., GTS Division			
Reason for Modification:	<input checked="" type="checkbox"/> Parts catalog correction	<input type="checkbox"/> Vendor change	<input type="checkbox"/> To meet standards ()
	<input type="checkbox"/> To facilitate assembly	<input type="checkbox"/> To improve reliability	
	<input type="checkbox"/> Part standardization	<input type="checkbox"/> Other	

Please make the following corrections to your Adonis-P parts catalog.

- Adonis-P (G035): Page 10
Add index number 34 as follows

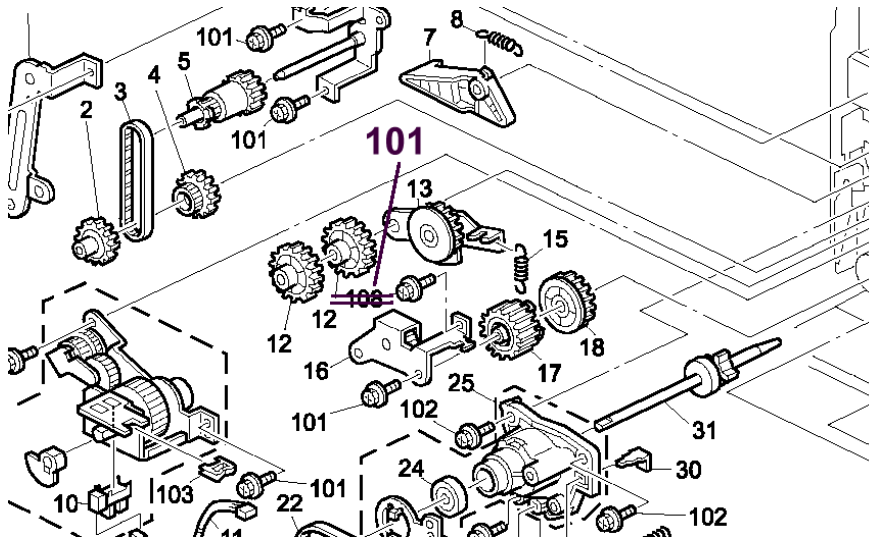


- Adonis-P (G035): Page 25
Add the following part number for index number 1

Index No.	Part No.	Description	Q'ty
1	A2327266	Toner Supply Unit – 115V (RIC)	1

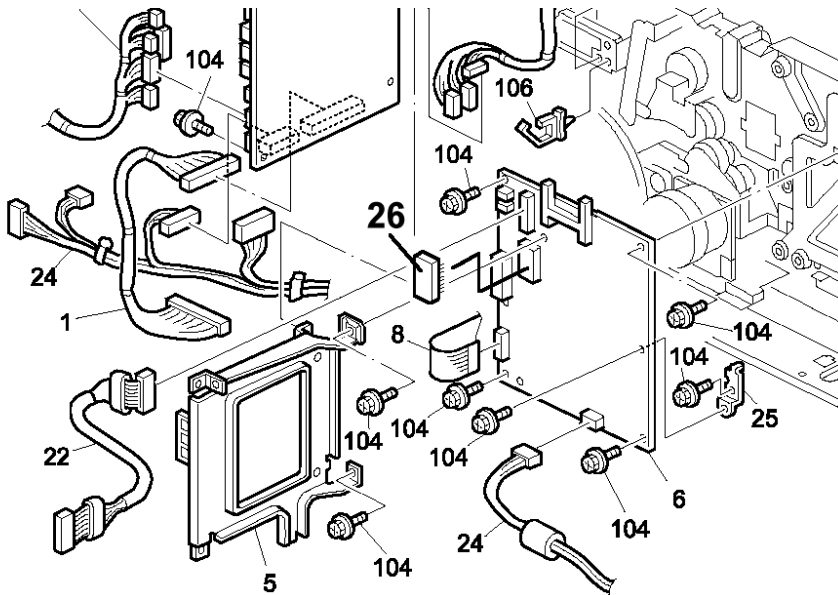
Model: Adonis-P	Date: 31-Oct-99	No.: MG035001
-----------------	-----------------	---------------

3. Adonis-P (G035): Page 46
Correct index number from 108 to 101



4. Adonis-P (G035): Page 52 and 53
Add NV-RAM (index number 26) and part number as follows

Page 52



Page 53

Index No.	Part No.	Description	Q'ty
26	A2849001	NV-RAM - +1000 Counter	1

Model: Adonis-P		Date: 13-Aspr-00	No.: MG035002
Modified Article: Hot Roller Stripper and Tension Spring		Prepared by: K. Takagi	
From: Technical Services Dept., GTS Division			
Reason for Modification:	<input type="checkbox"/> Parts catalog correction	<input type="checkbox"/> Vendor change	<input type="checkbox"/> To meet standards ()
	<input type="checkbox"/> To facilitate assembly	<input checked="" type="checkbox"/> To improve reliability	
	<input type="checkbox"/> Part standardization	<input type="checkbox"/> Other	

Cause

Since a mixture of the toner and paper dust accumulates on the tip of the hot roller stripper, a gap develops between the stripper and hot roller surface. Under this condition, the copied paper is not separated by the hot roller stripper, leading to jams in the fusing unit (the paper gets caught on the tip of the hot roller stripper).

Contents of Change

To reduce the amount of toner and paper dust attracted to the hot roller stripper, the material of the stripper will be changed from PPS to PEK.

To increase the contact pressure between hot roller and stripper, the tension of the hot roller stripper spring will be changed from 150 mN to 300 mN.

Old part number	New part number	Description	Q'ty	Int	Page	Index	Note
AE044022	AE044028	Hot Roller Stripper	5	O/O	37	6	
AA060701	AA060837	Tension Spring	5	O/O	37	7	

MODEL NAME	V/Hz	DESTINATION	JAPAN PRODUCTION	
			CODE	SERIAL NUMBER
SAVIN SLP45 Gestetner P7045	115/60	USA, Canada	G035-15	P1891200023
Ricoh Aficio AP4500 Gestetner P7045	115/60	USA, Canada	G035-17	P1800100021
Nashuatec P7045 Rex-Rotary P7045	220/50	Europe, etc.	G035-22	P1891200106
Ricoh Aficio AP4500	220/50	Europe, etc.	G035-27	P1891200121

Model: Adonis-P		Date: 13-Apr-00	No.: MG035003
Modified Article: Right Door Switch		Prepared by: K. Takagi	
From: Technical Services Dept., GTS Division			
Reason for Modification:	<input type="checkbox"/> Parts catalog correction <input type="checkbox"/> To facilitate assembly <input type="checkbox"/> Part standardization	<input type="checkbox"/> Vendor change <input checked="" type="checkbox"/> To improve reliability <input type="checkbox"/> Other	<input type="checkbox"/> To meet standards ()

Cause:

Jams in the fusing unit area (C-jams) are cleared by opening and closing either the front or right door, even when the jammed paper has not been removed. This in turn causes jams to reoccur when the next print job is done.

Countermeasure

The following will prevent C-jams from being cleared by opening and closing the front door:

1. The front door push switch, switch bracket, and tapping screw have been deleted. This switch was then added to the right door switch assembly, making a total of 4.
2. The length of the fastening screw for the right door microswitch has been increased.
3. The length of the front-upper DC harness has been increased and the harness has been rerouted to the right door microswitch assembly.

Old part number	New part number	Description	Q'ty	Int	Page	Index	Note
A2325867		Angle Bracket-Push Switch	1-0	-	53	16	
AW500022		Push Switch	1-0	-	53	17	
04513006B		Tapping Screw – M3x6	14-13	-	53	104	
12042466	12042466	Micro Switch - V - 16506-1C25	3-4	-	53	101	
AA143512	AA143519	Stepped Screw – M2.5	3-2	X/X	53	14	
A2325402	A2845520	DC Harness – Front Upper	1-1	X/X	53	3	

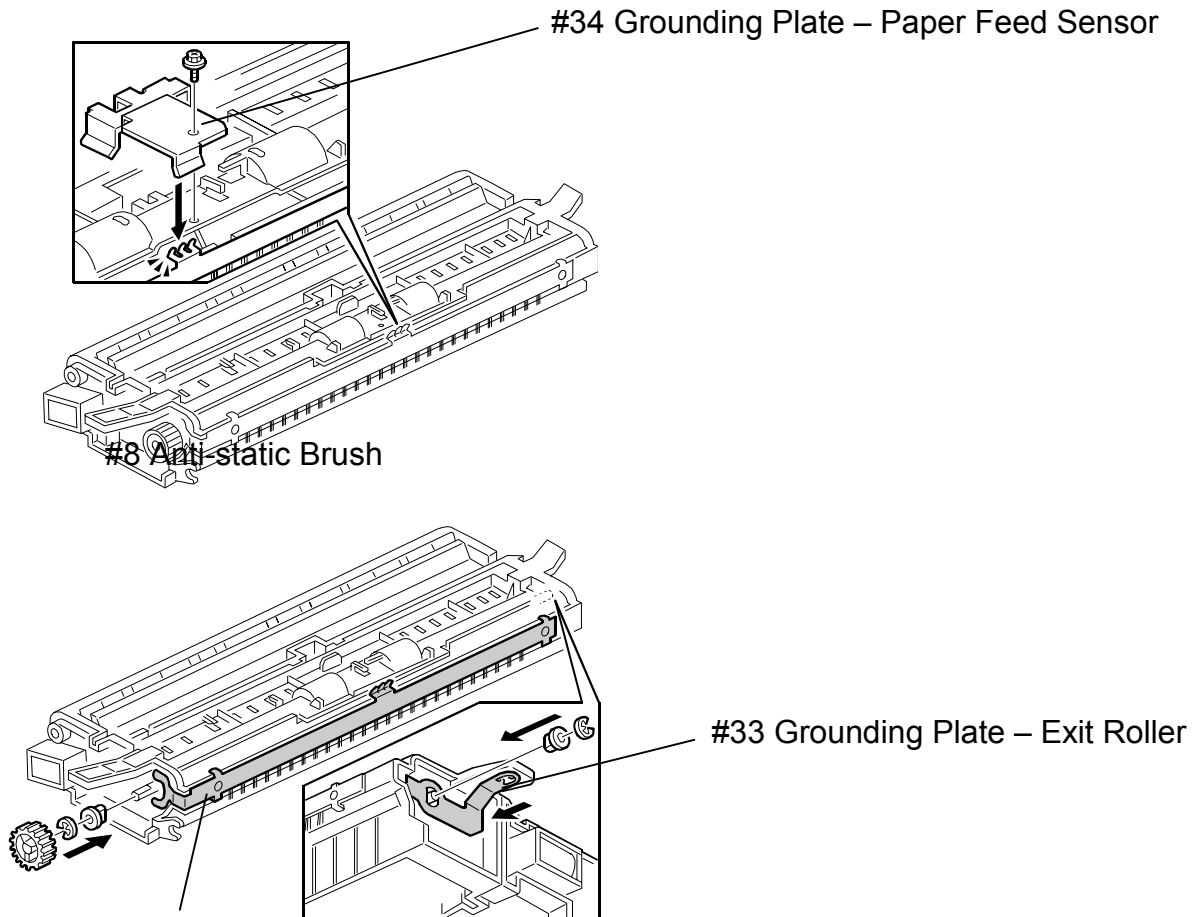
MODEL NAME	V/Hz	DESTINATION	JAPAN PRODUCTION	
			CODE	SERIAL NUMBER
SAVIN SLP45 Gestetner P7045	115/60	USA, Canada	G035-15	P1890700001
Ricoh Aficio AP4500 Gestetner P7045	115/60	USA, Canada	G035-17	P1890700011
Nashuatec P7045 Rex-Rotary P7045	220/50	Europe, etc.	G035-22	P1890800086
Ricoh Aficio AP4500	220/50	Europe, etc.	G035-27	P1890800096

Model: Adonis-P	Date: 13-Apr-00	No.: MG035004
-----------------	-----------------	---------------

Modified Article: Antistatic Brush and Grounding Plates		Prepared by: K. Takagi	
From: Technical Services Dept., GTS Division			
Reason for Modification:	<input type="checkbox"/> Parts catalog correction	<input type="checkbox"/> Vendor change	<input type="checkbox"/> To meet standards ()
	<input type="checkbox"/> To facilitate assembly	<input checked="" type="checkbox"/> To improve reliability	
	<input type="checkbox"/> Part standardization	<input type="checkbox"/> Other	

Old part number	New part number	Description	Q'ty	Int	Page	Index	Note
AA120089	A2844460	Antistatic Brush	1-1	X/O	39	8	
	A2844462	Grounding Plate – Exit Roller	0-1	-	39	*33	
	A2844463	Grounding Plate – Paper Feed Sensor	0-1	-	39	*34	

To ensure proper grounding, the shape of the anti-static brush has been changed and grounding plates for the exit and paper feed rollers have been added. Please refer to the illustration below. This modification reduces the occurrence of paper jams caused by static electricity buildup.



Model: Adonis-P

Date: 13-Apr-00

No.: MG035004

MODEL NAME	V/Hz	DESTINATION	JAPAN PRODUCTION	
			CODE	SERIAL NUMBER
SAVIN SLP45 Gestetner P7045	115/60	USA, Canada	G035-15	P1891000006
Ricoh Aficio AP4500 Gestetner P7045	115/60	USA, Canada	G035-17	P1891000078
Nashuatec P7045 Rex-Rotary P7045	220/50	Europe, etc.	G035-22	P1891000130
Ricoh Aficio AP4500	220/50	Europe, etc.	G035-27	P1891100159

Model: Adonis-P		Date: 13-Apr-00	No.: MG035005
Modified Article: Quenching Lamp Magnet		Prepared by: K Takagi	
From: Technical Services Dept., GTS Division			
Reason for Modification:	<input type="checkbox"/> Parts catalog correction	<input type="checkbox"/> Vendor change	<input type="checkbox"/> To meet standards ()
	<input type="checkbox"/> To facilitate assembly	<input type="checkbox"/> To improve reliability	
	<input checked="" type="checkbox"/> Part standardization	<input type="checkbox"/> Other	

To standardize the part with other models, the quenching lamp magnet has been changed.

Old part number	New part number	Description	Q'ty	Int	Page	Index	Note
A2322373	A2673455	Magnet – Quenching Lamp	1-1	O/O	55	9	

Model: Adonis-P		Date: 13-Apr-00	No.: MG035006
Modified Article: Hard Disk Drive		Prepared by: K. Takagi	
From: Technical Services Dept., GTS Division			
Reason for Modification:	<input type="checkbox"/> Parts catalog correction <input type="checkbox"/> To facilitate assembly <input type="checkbox"/> Part standardization	<input checked="" type="checkbox"/> Vendor change <input type="checkbox"/> To improve reliability <input type="checkbox"/> Other	<input type="checkbox"/> To meet standards ()

The following is the P/N change history for the printer engine hard disk drive.

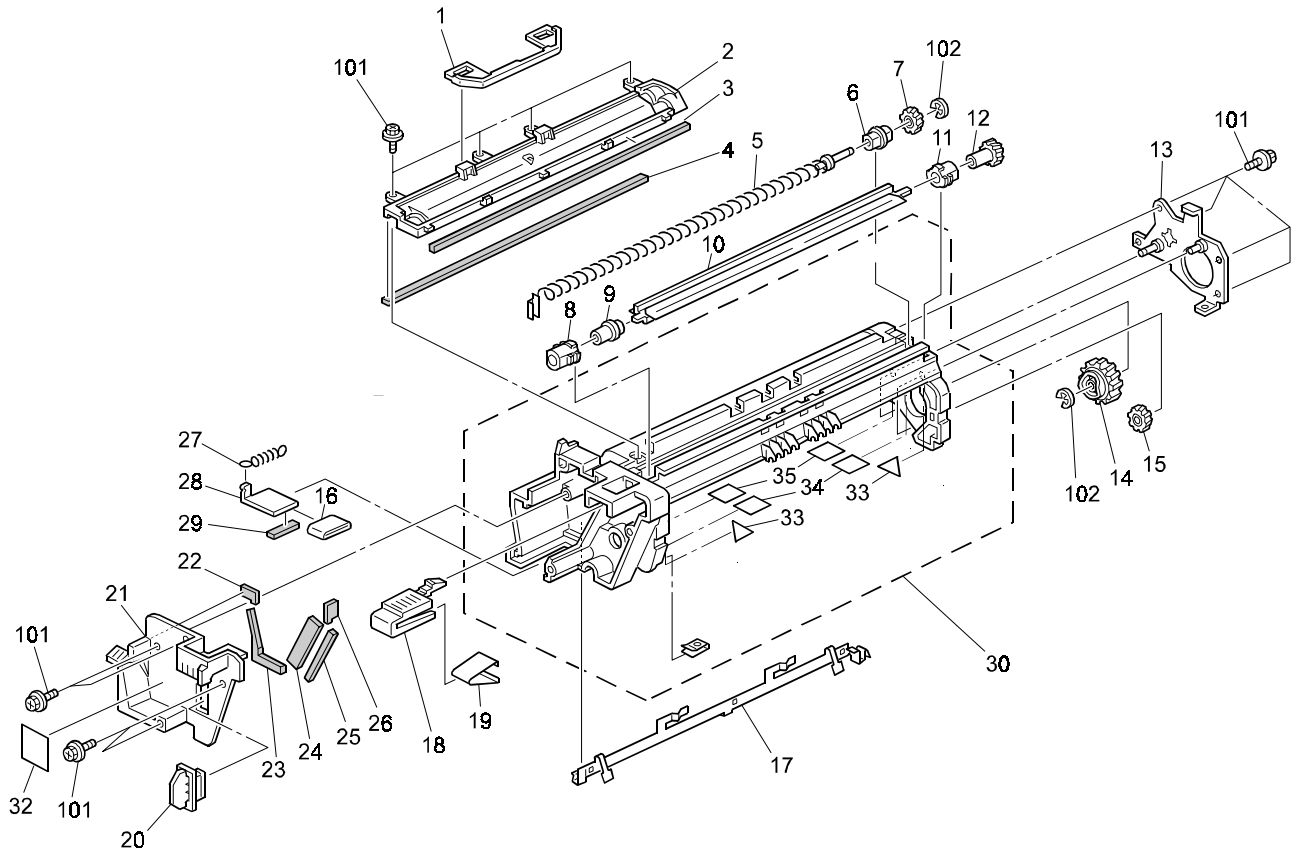
The hard disk for the printer engine has been changed as shown below because of discontinuances in production.

Old part number	New part number	Description	Q'ty	Int	Page	Index	Note
A6915877	A6915878	Hard Disk Drive	1	O/O	59	14	
A6915878	A6915879	Hard Disk Drive	1	O/O	59	14	
A6915879	A6915860	Hard Disk Drive	1	O/O	59	14	

Model: Adonis-P		Date: 08-May-00	No.: MG035007
Modified Article: Seals : PSU		Prepared by: K. Takagi	
From: Technical Services Dept., GTS Division			
Reason for Modification:	<input type="checkbox"/> Parts catalog correction	<input type="checkbox"/> Vendor change	<input type="checkbox"/> To meet standards ()
	<input type="checkbox"/> To facilitate assembly	<input type="checkbox"/> To improve reliability	
	<input type="checkbox"/> Part standardization	<input checked="" type="checkbox"/> Other	

The following part has been registered as a service part.
Please add this to your parts catalog.

Old part number	New part number	Description	Q'ty	Int	Page	Index	Note
-	A2322350	Seal - Entrance	2	-	27	33	
-	A2322399	Seal - Blade 13 x 9.5 x 3	2	-	27	34	
-	A2322348	Seal - Blade 12 x 7 x 3	2	-	27	35	



Model: Adonis-P		Date: 17-Jul-00	No.: MG035008
Modified Article: Seal - Toner Bottle Cover		Prepared by: K. Takagi	
From: Technical Services Dept., GTS Division			
Reason for Modification:	<input type="checkbox"/> Parts catalog correction	<input type="checkbox"/> Vendor change	<input type="checkbox"/> To meet standards ()
	<input type="checkbox"/> To facilitate assembly	<input type="checkbox"/> To improve reliability	
	<input type="checkbox"/> Part standardization	<input checked="" type="checkbox"/> Other	

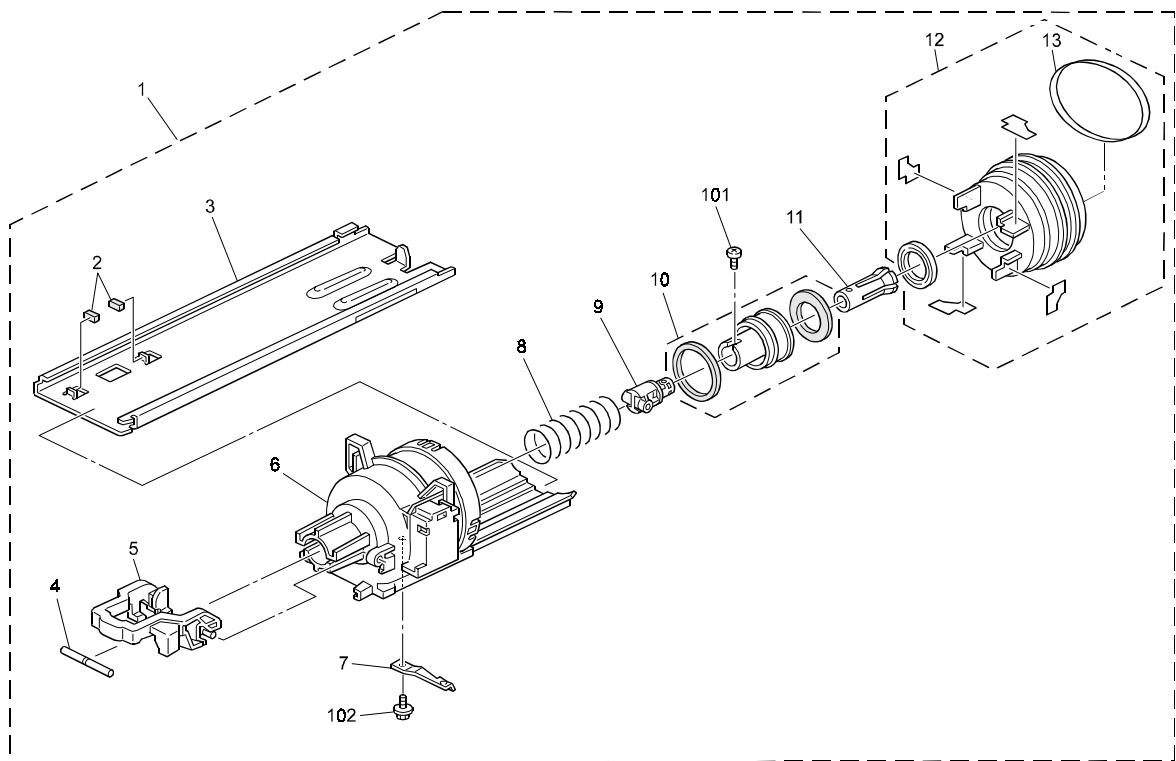
Symptom

The connection between the toner supply unit and toner bottle is loose, which causes the unit to separate from the bottle when the unit is pulled out. Toner then spills out onto the toner supply unit and sometimes onto the front cover as well.

Countermeasure

A seal has been added to the inside of the toner supply unit to minimize the freedom of movement of the toner bottle. This will tighten the hold of the toner supply unit on the bottle, preventing any separation of the bottle from the unit.

Old part number	New part number	Description	Q'ty	Int	Page	Index	Note
-	AA153083	Seal – Toner Supply Unit Cover (RIC NA)	1	-	25	13	
-	AA153084	Seal – Toner Supply Unit Cover (RIC EU and OEM)	1	-	25	13	



Model: Adonis-P

Date: 17-Jul-00

No.: MG035008

RCL Production

MODEL NAME	V/Hz	DESTINATION	CODE	SERIAL NO.
SAVIN SLP45 Gestetner P7045	115/60	USA, Canada	G035-15	P18006XXXX
Ricoh Aficio AP4500 Gestetner P7045	115/60	USA, Canada	G035-17	P1800500001
Nashuatec P7045 Rex-Rotary P7045	220/50	Europe, etc.	G035-22	P1800500081
Ricoh Aficio AP4500	220/50	Europe, etc.	G035-27	P1800500101

Model: Adonis-P		Date: 17-Jul-00	No.: MG035009
Modified Article: Laser Synch. Detector		Prepared by: K. Takagi	
From: Technical Services Dept., GTS Division			
Reason for Modification:	<input type="checkbox"/> Parts catalog correction <input type="checkbox"/> To facilitate assembly <input type="checkbox"/> Part standardization	<input type="checkbox"/> Vendor change <input checked="" type="checkbox"/> To improve reliability <input type="checkbox"/> Other	<input type="checkbox"/> To meet standards ()

Symptom

SC322/326 is generated at installation.

Cause

Most likely, the lasers in some machines tested at the factory had passed through the lower end of the Laser Synch. Detector, very close to the edge. Then, during transport, the LD unit housing was slightly deformed or shifted due to some form of shock or shaking. As a result, the position of the laser was shifted outside the detection range.

Countermeasure

1. The detection width of the Laser Synch. Detector has been increased from 2.3 to 3.0 mm.

Old part number	New part number	Description	Q'ty	Int	Page	Index
A2325310	A2935310	Laser Sync. Detector	1-1	X/O	13	25

RCL Production

MODEL NAME	V/Hz	DESTINATION	CODE	SERIAL NO.
SAVIN SLP45 Gestetner P7045	115/60	USA, Canada	G035-15	P1890900001
Ricoh Aficio AP4500 Gestetner P7045	115/60	USA, Canada	G035-17	P1890900041
Nashuatec P7045 Rex-Rotary P7045	220/50	Europe, etc.	G035-22	P1890900091
Ricoh Aficio AP4500	220/50	Europe, etc.	G035-27	P1890900156

Model: Adonis-P		Date: 26-Jul-00	No.: MG035010
Modified Article: Development Unit		Prepared by: K. Takagi	
From: Technical Services Dept., GTS Division			
Reason for Modification:	<input checked="" type="checkbox"/> Parts catalog correction	<input type="checkbox"/> Vendor change	<input type="checkbox"/> To meet standards ()
	<input checked="" type="checkbox"/> To facilitate assembly	<input type="checkbox"/> To improve reliability	
	<input type="checkbox"/> Part standardization	<input checked="" type="checkbox"/> Other	

Due to the reasons listed below, the A2327460 Development Unit (NAD) will be used for the Adonis-P in place of the G0353050 Development Unit.

Old part number	New part number	Description	Q'ty	Int	Page	Index	Note
G0353050		Development Unit	-	-	35	1	-
	A2327460	Development Unit	1	-			

- The original Development Unit (G0353050) is filled with developer before it is shipped from the factory. The developer has a tendency to spill out during transport. However, the factory will not supply this unit without the developer.
- The Development Unit for the NAD (A2327460) can also be used with the Adonis-P if the three components listed below are installed.

NOTE:

When installing these three components in the A2327460 unit, you can either use the components from the original development unit (G0353050) or newly purchased components.

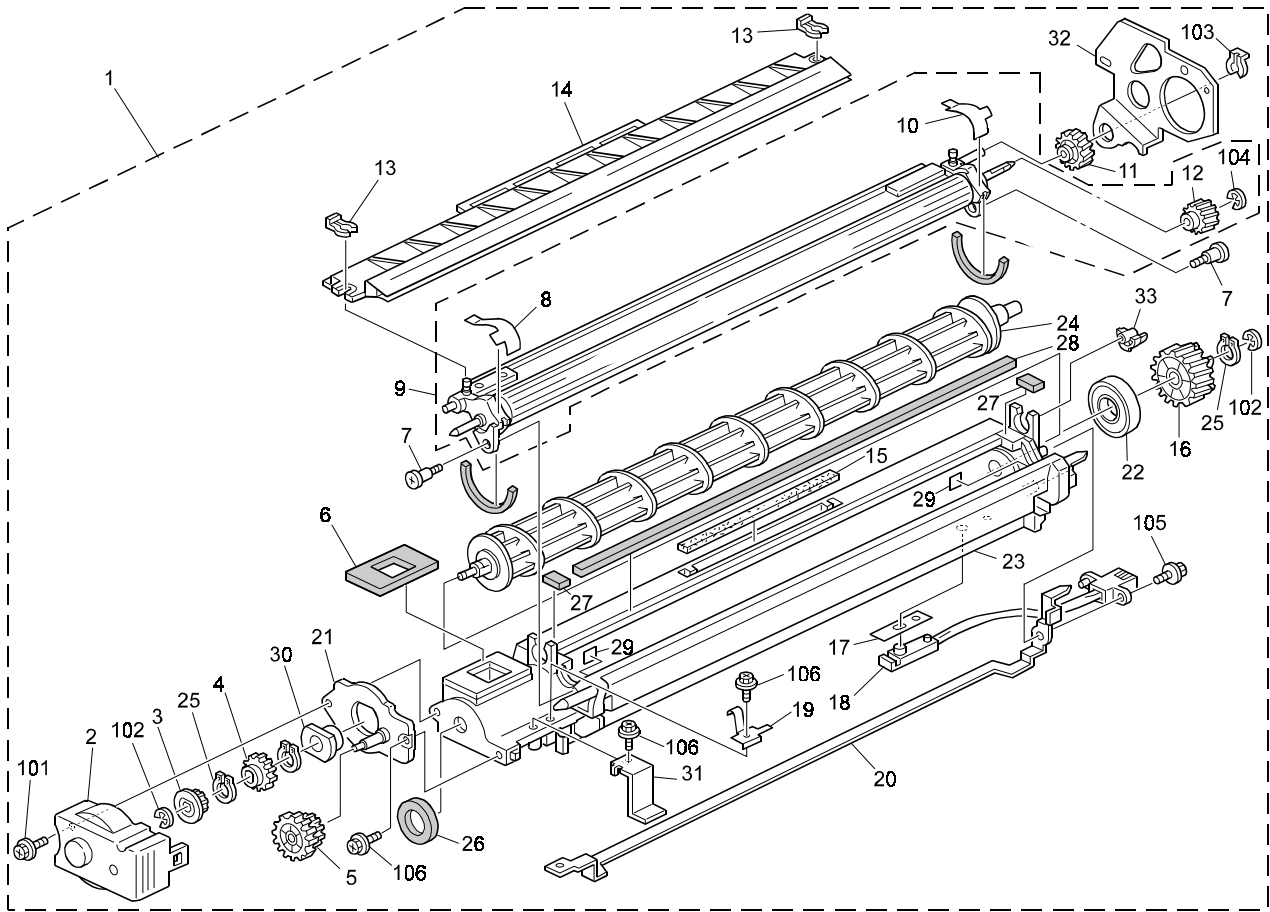
Additional components needed:

1. G0342450 (Index No. 32): Bracket – PCU and Development Unit
2. G0342451 (Index No. 31): Bracket – Development Stay
3. 04503010B (Index No. 106): Tapping Screw – M3x10

Model: Adonis-P

Date: 26-Jul-00

No.: MG035010



Model: Adonis-P		Date: 08-Aug-00	No.: MG035011
Modified Article: Driven Roller and Guide Plate		Prepared by: K. Takagi	
From: Technical Services Dept., GTS Division			
Reason for Modification:	<input type="checkbox"/> Parts catalog correction	<input type="checkbox"/> Vendor change	<input type="checkbox"/> To meet standards ()
	<input type="checkbox"/> To facilitate assembly	<input checked="" type="checkbox"/> To improve reliability	
	<input type="checkbox"/> Part standardization	<input type="checkbox"/> Other	

To prevent deformation caused by heat, the material of the driven roller and the guide plate has been changed.

Old part number	New part number	Description	Q'ty	Int	Page	Index	Note
AF040559	AF040575	Driven Roller – M9	2-2	X/O	33	16	
A2324491	A2844491	Guide Plate – Fusing Unit	1-1	X/O	33	18	

RCL Production

MODEL NAME	V/Hz	DESTINATION	CODE	SERIAL NO.
SAVIN SLP45 Gestetner P7045	115/60	USA, Canada	G035-15	P18008XXXX
Ricoh Aficio AP4500 Gestetner P7045	115/60	USA, Canada	G035-17	P1800800001
Nashuatec P7045 Rex-Rotary P7045	220/50	Europe, etc.	G035-22	P18008XXXX
Ricoh Aficio AP4500	220/50	Europe, etc.	G035-27	P1800700376

Model: Adonis-P		Date: 11-Aug-00	No.: MG035012
Modified Article: Idler Gear - 27Z for the Transfer Unit		Prepared by: K. Takagi	
From: Technical Services Dept., GTS Division			
Reason for Modification:	<input type="checkbox"/> Parts catalog correction	<input type="checkbox"/> Vendor change	<input type="checkbox"/> To meet standards ()
	<input type="checkbox"/> To facilitate assembly	<input checked="" type="checkbox"/> To improve reliability	
	<input type="checkbox"/> Part standardization	<input type="checkbox"/> Other	

Symptom:

Bands of low image density appear at approximately 5mm intervals. This is especially noticeable with half-tone areas.

Cause:

The supporting tension supplied by the ribs of the idler gear was slightly high, causing the gear diameter to become slightly warped.

Countermeasure:

To ensure that the idler gear diameter is uniform, the gear ribs will be removed.

Old part number	New part number	Description	Q'ty	Int	Page	Index	Note
AB017429	AB014189	Gear - 27Z	1	X/O	31	12	

RCL (Japan) Production

MODEL NAME	V/Hz	DESTINATION	CODE	SERIAL NUMBER
SAVIN SLP45 Gestetner P7045	115/60	USA, Canada	G035-15	P18008XXXX
Ricoh Aficio AP4500 Gestetner P7045	115/60	USA, Canada	G035-17	P1800800001
Nashuatec P7045 Rex-Rotary P7045	220/50	Europe, etc.	G035-22	P18008XXXX
Ricoh Aficio AP4500	220/50	Europe, etc.	G035-27	P1800700376

Model: Adonis-P		Date: 11-Aug-00	No.: MG035013
Modified Article: PFB Board		Prepared by: K. Takagi	
From: Technical Services Dept., GTS Division			
Reason for Modification:	<input type="checkbox"/> Parts catalog correction	<input type="checkbox"/> Vendor change	<input type="checkbox"/> To meet standards ()
	<input type="checkbox"/> To facilitate assembly	<input checked="" type="checkbox"/> To improve reliability	
	<input type="checkbox"/> Part standardization	<input type="checkbox"/> Other	

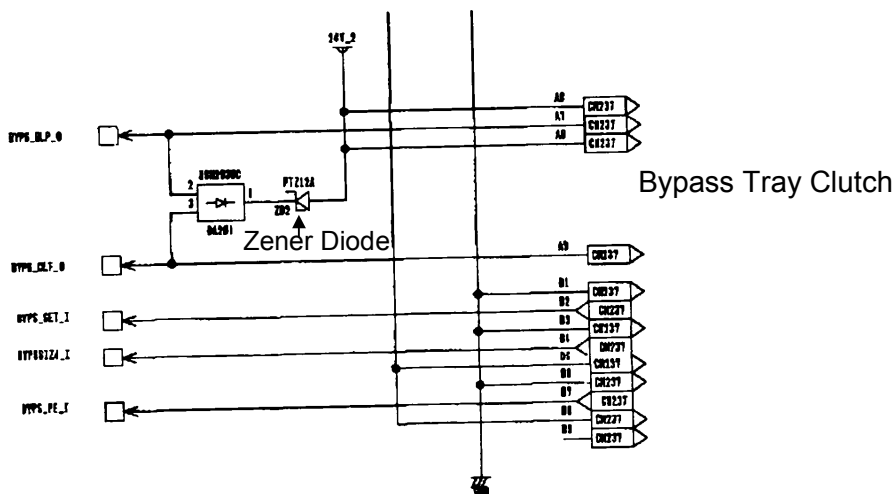
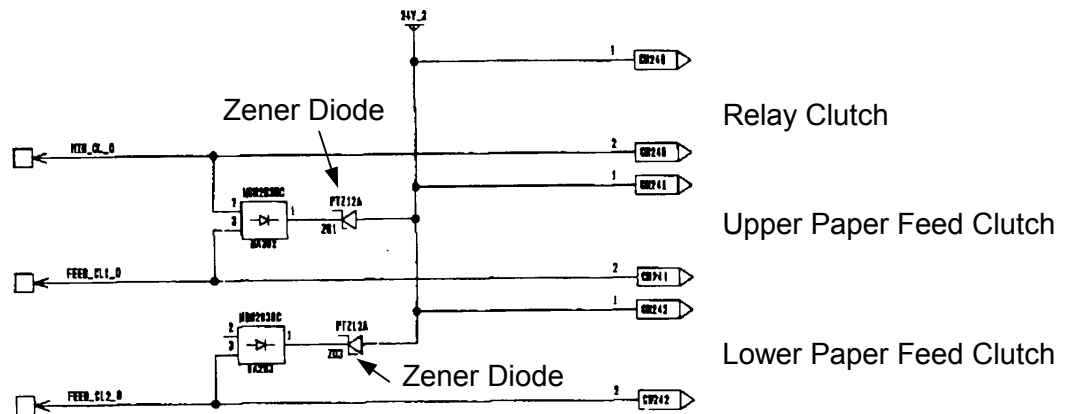
A counter electromotive force flows through the clutch drive circuits and causes the off-timing of the clutch to be delayed. This can result in a paper jam.

A zener diode has been added to the drive circuits of the PFB board for the following clutches, preventing any counter electromotive force from flowing through the circuits:

1. Relay Clutch
2. Upper Paper Feed Clutch
3. Lower Paper Feed Clutch
4. By-pass Tray Feed Clutch

The new part number for the PFB board is as follows:

Old part number	New part number	Description	Q'ty	Int	Page	Index
A2325130	A2325135	PFB Board	1-1	X/O	49	20



Model: Adonis-P

Date: 11-Aug-00

No.: MG035013

RCL Production

MODEL NAME	V/Hz	DESTINATION	CODE	SERIAL NO.
SAVIN SLP45 Gestetner P7045	115/60	USA, Canada	G035-15	P18008XXXX
Ricoh Aficio AP4500 Gestetner P7045	115/60	USA, Canada	G035-17	P1800800001
Nashuatec P7045 Rex-Rotary P7045	220/50	Europe, etc.	G035-22	P18008XXXX
Ricoh Aficio AP4500	220/50	Europe, etc.	G035-27	P1800800201

Model: Adonis-P		Date: 26-Sep-00	No.: MG035014
Modified Article: Spur		Prepared by: K. Takagi	
From: Technical Services Dept., GTS Division			
Reason for Modification:	<input type="checkbox"/> Parts catalog correction	<input type="checkbox"/> Vendor change	<input type="checkbox"/> To meet standards ()
	<input type="checkbox"/> To facilitate assembly	<input checked="" type="checkbox"/> To improve reliability	
	<input type="checkbox"/> Part standardization	<input type="checkbox"/> Other	

To prevent toner from adhering to the spur, the material of the spur has been changed.

Old part number	New part number	Description	Q'ty	Int	Page	Index	Note
A2322374	B0042310	Spur	8	O/O	21	2	

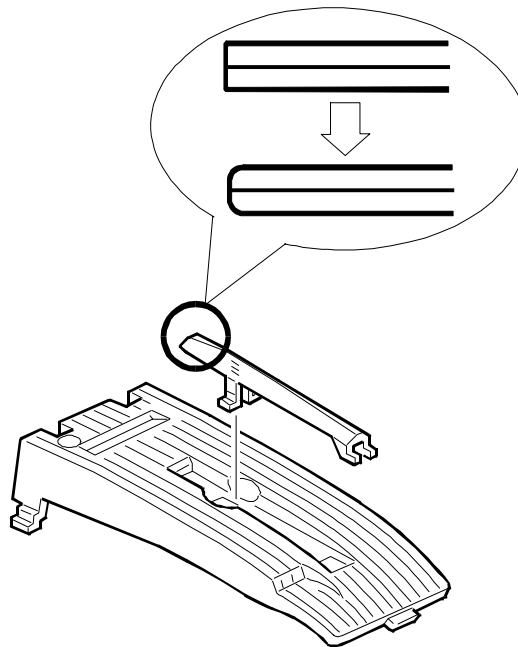
RCL (Japan) Production

MODEL NAME	V/Hz	DESTINATION	CODE	SERIAL NUMBER
SAVIN SLP45 Gestetner P7045	115/60	USA, Canada	G035-15	P18010XXXX
Ricoh Aficio AP4500 Gestetner P7045	115/60	USA, Canada	G035-17	P18010XXXX
Nashuatec P7045 Rex-Rotary P7045	220/50	Europe, etc.	G035-22	P18010XXXX
Ricoh Aficio AP4500	220/50	Europe, etc.	G035-27	P1800900001

Model: Adonis-P		Date: 26-Sep-00	No.: MG035015
Modified Article: Copy Tray Guide		Prepared by: K. Takagi	
From: Technical Services Dept., GTS Division			
Reason for Modification:	<input type="checkbox"/> Parts catalog correction	<input type="checkbox"/> Vendor change	<input type="checkbox"/> To meet standards ()
	<input type="checkbox"/> To facilitate assembly	<input type="checkbox"/> To improve reliability	
	<input type="checkbox"/> Part standardization	<input checked="" type="checkbox"/> Other	

The edge of the copy tray guide has been rounded to ensure that scratches or other minor injuries do not occur.

Old part number	New part number	Description	Q'ty	Int	Page	Index	Note
A2324498	A2844498	Copy Tray Guide	1	X/O	11	2	



RCL Production

MODEL NAME	V/Hz	DESTINATION	CODE	SERIAL NO.
SAVIN SLP45 Gestetner P7045	115/60	USA, Canada	G035-15	P18010XXXX
Ricoh Aficio AP4500 Gestetner P7045	115/60	USA, Canada	G035-17	P18010XXXX
Nashuatec P7045 Rex-Rotary P7045	220/50	Europe, etc.	G035-22	P18010XXXX
Ricoh Aficio AP4500	220/50	Europe, etc.	G035-27	P1800900001

Model: Adonis-P		Date: 21-Dec-00	No.: MG035016
Modified Article: End Fence		Prepared by: K. Takagi	
From: Technical Services Dept., GTS Division			
Reason for Modification:	<input type="checkbox"/> Parts catalog correction <input type="checkbox"/> To facilitate assembly <input type="checkbox"/> Part standardization	<input type="checkbox"/> Vendor change <input checked="" type="checkbox"/> To improve reliability <input type="checkbox"/> Other	<input type="checkbox"/> To meet standards ()

1. The shape of the end fence edge has been changed so that the user will pinch the hooks in the correct place, allowing the fence to be properly removed. This will ensure that the hook portions do not get caught and break when the user is trying to remove the end fence.
2. The material of the end fence has been changed to a stronger one.

Old part number	New part number	Description	Q'ty	Int	Page	Index	Note
AF017020	AF017026	End Fence	1	X/O	23	6	

RCL Production

MODEL NAME	V/Hz	DESTINATION	CODE	SERIAL NO.
SAVIN SLP45 Gestetner P7045	115/60	USA, Canada	G035-15	P18012XXXX
Ricoh Aficio AP4500 Gestetner P7045	115/60	USA, Canada	G035-17	P1810100001
Nashuatec P7045 Rex-Rotary P7045	220/50	Europe, etc.	G035-22	P18012XXXX
Ricoh Aficio AP4500	220/50	Europe, etc.	G035-27	P1810100003

Model: Adonis-P		Date: 29-Nov-01	No.: MG035017
Modified Article: Ball bearing		Prepared by: E. Fukuyama	
From: Technical Services Dept., GTS Division			
Reason for Modification:	<input type="checkbox"/> Parts catalog correction	<input type="checkbox"/> Vendor change	<input type="checkbox"/> To meet standards ()
	<input type="checkbox"/> To facilitate assembly	<input type="checkbox"/> To improve reliability	
	<input checked="" type="checkbox"/> Part standardization	<input type="checkbox"/> Other	

The Ball Bearing has been changed due to parts standardization.

Old part number	New part number	Description	Q'ty	Int	Page	Index
A2323561	G0601147	Ball Bearing – 8x22x7	1-1	O/O	47	24

Model: Adonis-P		Date: 1-Jul-02	No.: MG035018
Modified Article: Transfer Unit Case		Prepared by: K. Takagi	
From: Technical Services sec. Service Planning Dept.			
Reason for Modification:	<input type="checkbox"/> Parts catalog correction <input type="checkbox"/> To facilitate assembly <input checked="" type="checkbox"/> Part standardization	<input type="checkbox"/> Vendor change <input type="checkbox"/> To improve reliability <input type="checkbox"/> Other	<input type="checkbox"/> To meet standards ()

To make it easier for service technicians to clean the Used Toner Tank on the A-C2, the Toner Tank Cover was fixed to the Transfer Unit Case with screws. To improve the serviceability of these components on the Adonis-P, and as part of parts standardization, the Transfer Unit Case has been changed over to the one used on the A-C2.

Old part number	New part number	Description	Q'ty	Int.	Page	Index	Note
G0353900	B0043900	Case – Transfer Unit	1	O/O	31	1	

Model: Adonis-P		Date: 1-Jul-02	No.: MG035019
Modified Article: Development Roller Ass'y		Prepared by: K. Takagi	
From: Technical Services sec. Service Planning Dept.			
Reason for Modification:	<input type="checkbox"/> Parts catalog correction <input type="checkbox"/> To facilitate assembly <input type="checkbox"/> Part standardization	<input type="checkbox"/> Vendor change <input checked="" type="checkbox"/> To improve reliability <input type="checkbox"/> Other	<input type="checkbox"/> To meet standards ()

The DG has been narrowed from 0.4 ± 0.05 mm to 0.38 ± 0.03 mm to ensure that toner does not stick to the operator side of the Development Roller.

Old part number	New part number	Description	Q'ty	Int.	Page	Index	Note
G0343100	G0343101	Development Roller Assy	1	O/O	35	9	